



MEDIX21™
HELPING YOU MOVE AHEAD

REBOTEC 2021 CATALOGUE



CONTENTS

HYGIENE

- 3-4 Phoenix** - Tilting shower-commode, height adjustable
- 5-6 Phoenix** - Tilting shower-commode
 - 7 Phoenix** - Accessories
 - 8 Frankfurt** - Shower-commode height adjustable
 - 9 Dallas** - Shower-commode up to 200kg
 - 10 Miami** - Self-propelling shower-commode
 - 11 Bonn** - Shower-commode
 - 12 Koln** - Commode
- 13-14 Augsburg** - Shower-commode for children
 - 15 Nizza** - Shower chair/shower stool
 - 16 Lyon** - Commode chair/commode stool
 - 17 Verona** - Shower stool up to 175kg
 - 18 Turin** Shower stool up to 100kg

WALKING

- 19 Polo Plus T**- Rollator with bag
- 20 Polo Comfort** - Rollator fully equipped
- 21 Jumbo 150**- Steel rollator
- 22 Yano Walker** - Wheeled forearm walker
- 23 Polo Yano** - Wheeled forearm walker
- 24 Fixi/Fox** - Rollator for children
- 25 Pluto** - Posterior walker for children
- 26 ECO 120** - Crutch
- 27 Comfort soft** - Double adjustable anatomic crutch
- 28 Big 150/Big 250** - Crutch with patented locking system
- 29 Safe in Antom Soft** - Crutch with nearly closed forearm cuff
- 30 Fun-Kids** - Crutch for children
- 31 Simplex** -Walking stick



Phoenix

Tilting shower-commode, height adjustable

*Height adjustment
hydraulically*



hydraulic drive

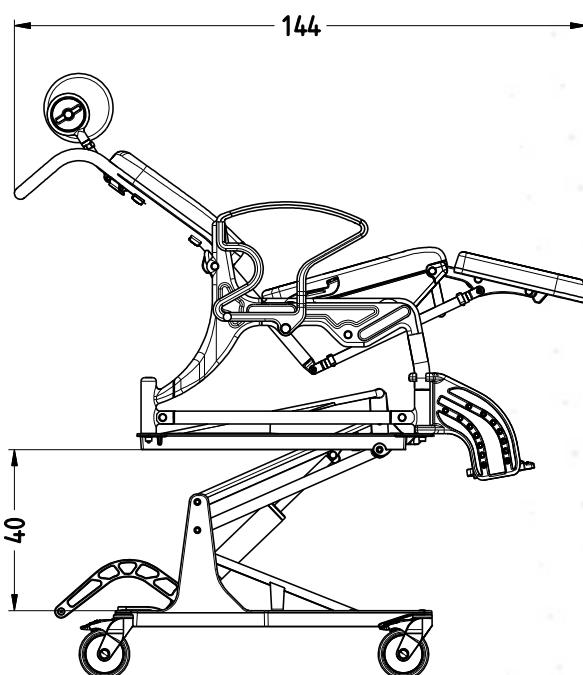
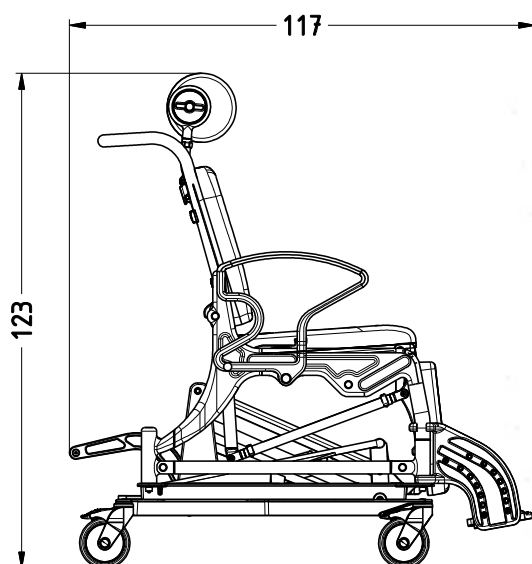


Technical changes and changes in colour reserved.

protected
by
patent

CE

All dimensions in cm.



Equipment:

- height adjustable
- adjustable headrest
- tilting adjustment
- swinging armrest
- 4 braked 5-inch swivelling castors
- approved up to 150 kg body weight

Phoenix

ref.no. 351.30.10

with hydraulic height adjustment

- seat with hygiene opening
- incl. bucket and bucket device

Type:	Phoenix hydraulic
depth:	117 cm
width:	68 cm
seat depth:	43 cm
seat height:	60-100 cm
seat width:	54 cm
weight:	52,4 kg
max. body weight:	150 kg
ref. no.:	351.30.10

Phoenix

Tilting shower-commode

*Tilting adjustment
infinitely variable!*



adjustable headrest

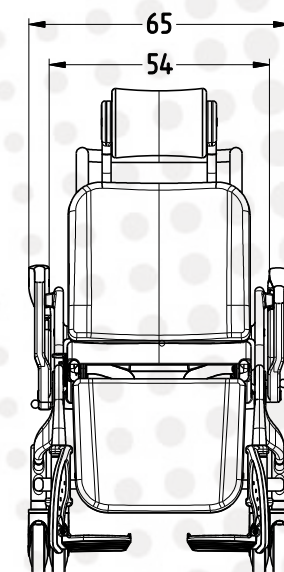
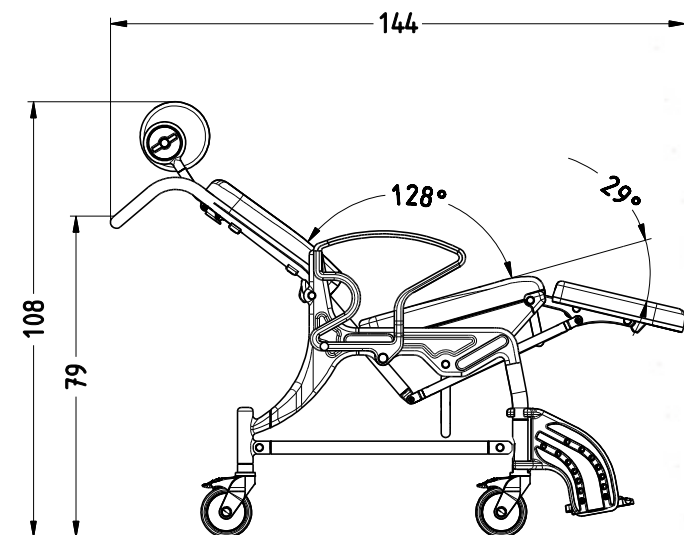
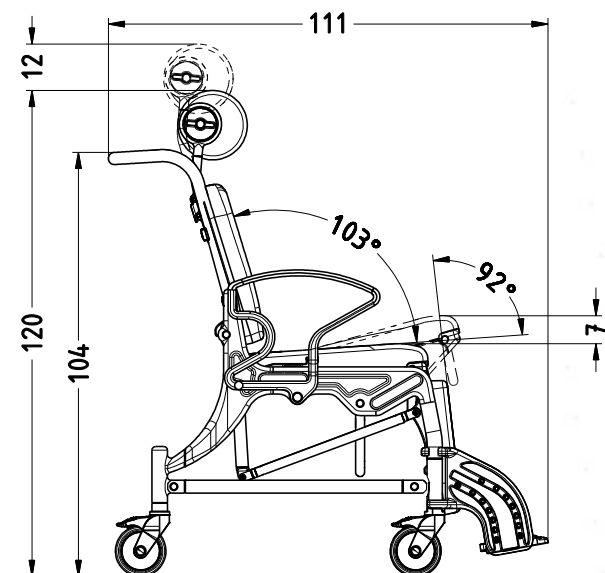


swinging armrest



lever lock for reclining

All dimensions in cm.



Equipment:

- adjustable headrest
- tilting adjustment
- swinging armrest
- 4 braked 5-inch swivelling castors
- approved up to 150 kg body weight

Phoenix

ref. no. 350.30.10

- seat with hygiene opening
- incl. bucket and bucket device

Type:	Phoenix
depth:	111 cm
width:	65 cm
seat depth:	43 cm
seat height:	58 cm
seat width:	54 cm
weight:	29,3 kg
max. body weight:	150 kg
ref. no.:	350.30.10

Technical changes and changes in colour reserved.

protected by patent



Accessories

Accessories:

1. IV pole

ref. no. 440.00.93

2. Headrest, lateral support

ref. no. 450.10.59

3. Safty belt

size M/L

- chest and pelvic belt

ref. no. 322.30.20

4. Armrest cushion

ref. no. 440.10.32

5. Splash protection

ref. no. 440.10.40

6. Safety belt

size S

- leg belt

ref. no. 322.30.10



Frankfurt

Shower-commode, height adjustable



Equipment:

- ergonomically shaped backrest with integrated grip
- swinging armrests enable easy side transfer
- upholstered seat with hygiene opening (available in rear or in front)
- incl. bucket device and bucket
- height adjustable, swinging and detachable foot support
- 4 swivelling castors 5-inch with parking/direction brake
- approved up to 130 kg body weight

Frankfurt ref. no. 355.54.00

Accessories:

- IV pole
ref. no. 303.62
- safety belt
ref. no. 322.30.20
- armrest cushion
ref. no. 440.10.32
- shower seat without hygiene opening
ref. no. 440.10.24

Type:	Frankfurt
depth:	87 cm
width:	56 cm
seat depth:	45 cm
seat height:	56 cm - 61 cm
seat width:	46 cm
toilet-height with bucket device:	44 cm - 49 cm
toilet-height without bucket device:	48 cm - 53 cm
weight:	18 kg
max. body weight:	130 kg
ref. no.	355.54.00

Dallas

Shower-commode, up to 200 kg

Equipment:

- aluminium back with PUR backrest
- swinging armrests enable easy side transfer
- upholstered seat with hygiene opening
- incl. bucket device and bucket
- height adjustable, swinging and detachable foot support
- 4 swivelling castors, in the rear with parking/direction brake
- approved up to 200 kg body weight

Dallas

ref. no. 359.30.00

Accessories:

- armrest cushion
ref. no. 440.10.32
- safety belt
ref. no. 322.30.20



Up to 200 kg!

Type:	Dallas
depth:	90 cm
width:	74 cm
seat depth:	48 cm
seat height:	56 cm
seat width:	64 cm
toilet-height with bucket device:	44 cm
toilet-height without bucket device:	47 cm
weight:	22 kg
max. body weight:	200 kg
ref. no.	359.30.00

Miami

Self-propelling shower-commode



Equipment:

- ergonomically shaped backrest with integrated grip
- swinging armrests enable easy side transfer
- height adjustable, swinging and detachable foot support
- 24-inch driving wheels with grip wheel
- approved up to 150 kg body weight
- upholstered seat with hygiene opening
- incl. bucket device and bucket

Miami
ref. no. 345.54.10

Up to 150 kg!

Type:	Miami
depth:	95 cm
width:	77 cm
seat depth:	45 cm
seat height:	55 cm
seat width:	52 cm
toilet-height with bucket device:	43 cm
weight:	27 kg
max. body weight:	150 kg
ref. no.	345.54.10

Bonn

Commode



Equipment:

- ergonomically shaped backrest with integrated grip
- swinging armrests enable easy side transfer
- toiletseat with seat cushion
- removable bucket
- incl. bucket
- height adjustable, swinging and detachable foot support
- 4 swivelling castors 5-inch with parking/direction brake
- approved up to 130 kg body weight

Bonn

ref. no. 343.54.22

Accessories:

- armrest cushion
ref. no. 440.10.32
- safety belt
ref. no. 322.30.20
- IV pole
ref. no. 303.62
- holder for disposable bags with lid
ref.no. 304.05.10
- disposable bags with lid
ref.no. 301.00.20



Type:	Bonn
depth:	87 cm
width:	56 cm
seat depth:	45 cm
seat height:	53 cm
seat width:	46 cm
weight:	14,5 kg
toilet-height with bucket device:	44 cm
toilet-height without bucket device:	47 cm
max. body weight:	130 kg
ref. no.	343.54.22

Köln

Commode

Equipment:

- ergonomically shaped backrest
- swinging armrests enable easy side transfer
- toiletseat with seat cushion
- bucket device removable
- incl. bucket
- nonsliding ferrules for safe standing
- approved up to 130 kg body weight

Köln
ref. no 340.54.00

Accessories:

- armrest cushion
ref. no. 440.10.32
- holder for disposable bags with lid
ref.no. 304.05.10
- disposable bags with lid
ref.no. 301.00.20



Type:	Köln
depth:	63 cm
width:	57 cm
seat depth:	45 cm
seat height:	52 cm
seat width:	46 cm
weight:	11,2 kg
max. body weight:	130 kg
ref. no.	340.54.00

Augsburg

Shower-commode for children

Equipment:

- aluminium back with PUR backrest
- swinging armrests enable easy side transfer
- upholstered seat with hygiene opening
- incl. bucket
- height adjustable swinging and detachable foot support
- 4 swivelling castors with parking/direction brake
- approved up to 80 kg body weight

Types:

4 inch ref. no. 339.04.97

24 inch ref. no. 339.24.97

Accessories:

- height adjustable headrest
ref. no. 444.03.39
- safety belt
ref. no. 322.30.10
- seat width and depth adjustment
ref. no. 444.00.97
- armrest cushion
ref. no. 440.10.32



Also available as 24-inch selfpropelling chair!

Type:	4 inch	24 inch
depth:	87 cm	97 cm
width:	53 cm	66 cm
seat depth:	35 cm	35 cm
seat height:	54 cm	55 cm
seat width:	40 cm	40 cm
weight:	17,3 kg	24,8 kg
toilet-height with bucket device:	43 cm	44 cm
toilet width:	33 cm	32 cm
max. body weight:	80 kg	80 kg
ref. no.	339.04.97	339.24.97



Technical changes and changes in colour reserved.

protected
by
patent

CE

Seat width and depth adjustment

for shower-commode chair Augsburg



ref. no. 339.04.97
shown with height adjustable head-rest
and seat width and depth adjustment

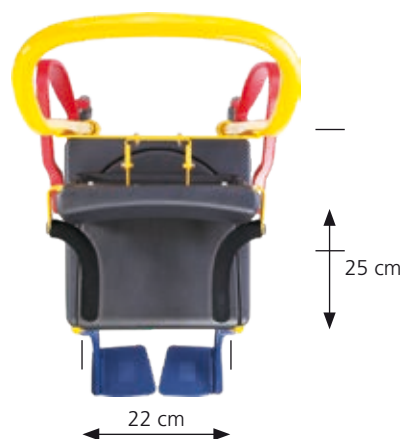
Up to 80 kg!

Seat adjustments include:

- backrest adjustment
- adjustable armrests
- safety belt

Seat adjustment
ref. no. 444.00.97 :

Height adjustable headrest
ref. no. 444.03.39



Type:	Seat width and depth adjustment
seat width:	22 cm - 32 cm
seat depth:	25 cm - 29 cm
weight:	3,9 kg
ref. no.	444.00.97

Technical changes and changes in colour reserved.



Nizza

Shower chair



Equipment:

- made of plastic and aluminium
- 7 adjustments in height
- approved up to 130 kg body weight

Nizza

ref. no. 363.00.30

Accessories:

- travelling-bag
ref. no. 284.00.30



Type:	Nizza
seat height:	42 cm - 57 cm
seat width:	40 cm
seat depth:	40 cm
max. required space:	51 cm x 53 cm
adjustments:	7 x
weight:	4,8 kg
max. body weight:	130 kg
ref. no.:	363.00.30

Lyon

Commode chair

Equipment:

- made of plastic and aluminium
- 7 adjustments in height
- approved up to 130 kg body weight

Lyon

ref. no. 362.00.30

Accessories:

- bucket
ref. no. 301.00
- seat upholstery
ref. no. 440. ...62
- travelling-bag
ref. no. 284.00.30
- holder for disposable bags with lid
ref.no. 304.05.10
- disposable bags with lid
ref.no. 301.00.20



Type:	Lyon
seat height:	42 cm - 57 cm
seat width:	46 cm
seat depth:	40 cm
max required space:	51 cm x 59 cm
adjustments:	7x
weight:	5 kg
max. body weight:	130 kg
ref. no.	362.00.30

Technical changes and changes in colour reserved.



Verona

Shower stool up to 175kg



Equipment:

- made of plastic and aluminium
- 7 adjustments in height
- approved up to 175 kg body weight

Verona

ref. no. 368.00.30

Accessories:

- travelling-bag
ref. no. 284.00.30

Type:	Verona
seat height:	42 cm - 57 cm
seat width Ø:	36 cm
seat depth:	36 cm
max. required space:	40 cm x 40 cm
weight:	2,6 kg
ref. no.:	368.00.30



ref.no. 284.00.30

Turin

Shower stool

Equipment:

- made of plastic and aluminium
- 8 adjustments in height
- approved up to 100 kg body weight

Turin

ref. no. 368.00.20

Height adjustable!



Type:	Turin
seat height:	46 cm - 64 cm
seat width Ø:	32 cm
seat depth:	32 cm
max. required space:	44 cm x 44 cm
weight:	1,6 kg
max. body weight:	100 kg
ref. no.:	368.00.20

Technical changes and changes in colour reserved.



Polo Plus-T

Aluminium rollator with bag

Equipment:

- powder coated aluminium frame
- dual action brake
- foldable
- seat reversible to tray
- incl. bag
- airless tyres
- approved up to 120 kg body weight

Polo Plus T
ref. no. 181..

Accessories:

- back pad
ref. no. 280.10.48
- holder for walking stick
Art.-Nr. 164.30.00
- removable shopping bag
ref. no. 284.00.70



*Available in
3 seat heights!*

Type:	S	M	L
depth:	68 cm	73 cm	78 cm
width:	68 cm	68 cm	68 cm
height of handle:	64 cm - 70 cm	70 cm - 83 cm	77 cm - 96 cm
seat height:	49 cm	56 cm	62 cm
seat width:	48 cm	48 cm	48 cm
weight:	7,4 kg	7,6 kg	7,8 kg
adjustments in height:	4x	7x	10x
max. body weight:	120 kg	120 kg	120 kg
ref. no.:	181.10	181.20	181.30

Polo-Comfort

Rollator fully equipped



*Available in
2 seat heights!*



Separately removable shopping bag.

Equipment:

- powder coated aluminium frame
- dual action brake
- back pad
- foldable
- seat reversible to tray
- incl. bag with removable shopping bag
- holder for walking stick
- airless tyres
- approved up to 120 kg body weight

Polo-Comfort
ref. no. 182..



Type:	M	L
depth:	73 cm	78 cm
width:	68 cm	68 cm
height of handle:	70 cm - 83 cm	77 cm - 96 cm
seat height:	56 cm	62 cm
seat width:	48 cm	48 cm
weight:	7,8 kg	8,0 kg
adjustments in height:	7x	10x
max. body weight:	120 kg	120 kg
ref. no.:	182.20	182.30

Technical changes and changes in colour reserved.



Jumbo 150

Steel rollator

Equipment:

- powder coated steel frame
- dual action brake
- foldable
- seat reversible
- incl. bag
- airless tyres
- 10 adjustments in height
- approved up to 150 kg body weight

Jumbo 150

ref. no. 188.00.00

Accessories:

- back pad
ref. no. 280.10.48
- holder for walking stick
ref. no. 164.30.00



Type:	Jumbo 150
depth:	73 cm
width:	75 cm
height of handle:	77 cm - 96 cm
seat height:	62 cm
seat width:	54 cm
weight:	11,6 kg
adjustments in height:	10x
max. body weight:	150 kg
ref. no.:	188.00.00

Up to 150 kg!

YANO Walker

Wheeled Forearm Walker



Equipment:

- 3 different handles selectable (see technique)
- adjustable in height
- powder coated frame
- 4 lockable castors
- approved up to 150 kg body weight

YANO Walker
ref. no. 188.99.10

Up to 150 kg!



Forearm support

Type:	YANO Walker
depth:	70 cm
width:	68 cm
height of forearm support:	100 cm - 119 cm
weight:	10,8 kg
adjustments in height:	10x
max. body weight:	150 kg
ref. no.:	188.99.10

Polo YANO

Wheeled Forearm Walker

Equipment:

- 3 different handles selectable (see technique)
- dual action brake
- seat reversible to tray
- incl. bag
- foldable
- airless tyres
- powder coated aluminium frame
- approved up to 120 kg body weight

Polo YANO

ref. no. 181.99. ...

Accessories:

- back pad
ref. no. 280.10.48
- holder for walking stick
ref. no. 164.30.00
- removable shopping bag
ref. no. 284.00.70
- one handed brake
(specify required hand)
ref. no. 280.99.70



Type:	S	M	L
depth:	68 cm	73 cm	78 cm
width:	68 cm	68 cm	68 cm
height of forearm support:	94 cm - 100 cm	100 cm - 113 cm	107 cm - 126 cm
seat height:	49 cm	56 cm	62 cm
seat width:	48 cm	48 cm	48 cm
weight:	9,0 kg	9,2 kg	9,4 kg
adjustments in height:	4x	7x	10x
max. body weight:	120 kg	120 kg	120 kg
ref. no.:	181.99.10	181.99.20	181.99.30

Brake function only warranted with standard-handle.

Fixi and Fox

Rollator for children

Equipment:

- powder coated aluminium frame
- dual action brake
- foldable
- airless tyres
- approved up to 100 kg body weight

Fixi / Fox

ref. no. 186.00..

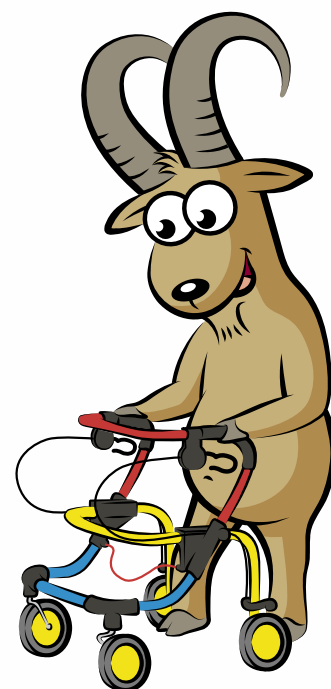
Accessories:

- seat (black)
ref. no. 286.65.25
- back pad
ref. no. 280.10.48



Only 6,2 kg!

Type:	Fixi	Fox
depth:	68 cm	68 cm
width:	59 cm	59 cm
height of handle:	61 cm - 70 cm	70 cm - 78 cm
seat height (optional):	46 cm	46 cm
seat width (optional):	38 cm	38 cm
weight:	6,2 kg	6,3 kg
adjustments in height:	5x	5x
max. body weight:	100 kg	100 kg
ref. no.:	186.00.10	186.00.20

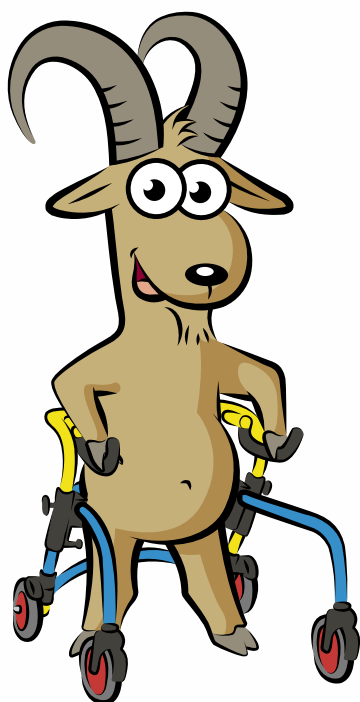


Pluto

Posterior walker for children



shown with seat size 1



Equipment:

- 2 different sizes
- width and height adjustable handgrips
- return motion break
- steerable frontwheels
- airless wheels
- the Pluto reverse walker provides independent movement for children
- it supports the user from behind and promotes upright posture when standing and walking
- it supports the therapeutic exercises to learn natural movements and to increase the balance
- the braking system in the back wheels prevents unintentional rolling back

Pluto

ref.no 187.00..

Accessories:

- front-wheels with steerlock
ref. no. 287.10.42
- seat for Pluto - size 1: up to 60 kg
ref. no. 287.20.10
- seat for Pluto - size 2: up to 80 kg
ref. no. 287.20.20



Type:	Size 1	Size 2
length:	81 cm	86 cm
width:	65 cm	67 cm
height of handle:	46 cm - 81 cm	55 cm - 89 cm
weight:	8,0 kg	8,5 kg
max. body weight:	60 kg	80 kg
ref. no.:	187.00.10	187.00.20

ECO 120

Crutch

Equipment:

- strong non - twisting forearm cuff
- ergonomic handle
- reflector
- solid ferrule with a high diameter

Eco 120

ref.no 100.20.10

- 10 adjustments in height
- approved up to 120 kg body weight

Accessories:

- Handle upholstery „Standard“
ref.no. 160.01.02
- Crutch-Strap
ref.no. 167.00. ...



Type:	Eco 120
height from handle to cuff:	24 cm
height of handle:	72 cm - 95 cm
diameter Ø in mm:	22/19
ref.no.:	100.20.10

Comfort-Soft

Double adjustable anatomic crutch



*Adjustable
forearm cuff!*

Equipment:

- 3 adjustments in height from handle to cuff
- reflector backwards
- 10 adjustments in height
- compression fitting
- approved up to 130 kg body weight

Comfort-Soft ref.no 110.10

Accessories:

- Handle upholstery „Anatom“
ref.no. 160.01.04
- Forearm upholstery
ref.no. 160.02.02
- Crutch-Strap
ref.no. 167.00. ...

Type:	Comfort-Soft
height from handle to cuff:	22 cm - 25 cm
height of handle:	75 cm - 97 cm
diameter Ø in mm:	22/19
ref.no.:	110.10

BIG 150

BIG 250

Crutch with patented locking system

Equipment:

- wide cuff
- 3 adjustments in height from handle to cuff
- ergonomic handle
- reflector

BIG 150

- very light aluminium tube
- approved up to 150 kg body weight

ref.no. 106.10

BIG 250

- 10 adjustments in height
- incl. nonsliding rubber "Big-Foot"
- approved up to 250 kg body weight

ref.no. 106.00.10

BIG 250 „excess length"

- 10 adjustments in height
- + 10 cm length
- incl. non sliding rubber "Big-Foot"
- approved up to 250 kg body weight

ref.no. 106.04. 10

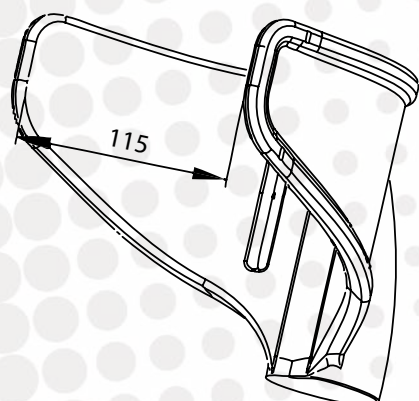
Accessories:

- Handle upholstery „BIG" ref.no. 160.01.03
- Forearm upholstery ref.no. 160.02.03
- Crutch-Strap ref.no. 167.00. ...

Up to 150 kg!



Up to 250 kg!



Type:	BIG 150	BIG 250	BIG 250 „ÜL"
height from handle to cuff:	22 cm - 25 cm	22 cm - 25 cm	22 cm - 25 cm
height of handle:	max. 108 cm	74 cm - 97 cm	84 cm - 107 cm
diameter Ø in mm:	22	25/22	25/22
ref.no.:	106.10	106.00. 10	106.04. 10

Safe-In-Anatom-Soft

Crutch with nearly closed forearm cuff



*Soft
handle!*

Equipment:

- forearm cuff with hinge to increase the mobility
- 3 adjustments in height from handle to cuff
- reflector backwards
- 10 adjustments in height
- compression fitting
- solid ferrule with a high diameter
- approved up to 130 kg body weight

Safe-In-Anatom-Soft

- anatomic soft handle
- ref. no. 118.10**

Accessories:

- Handle upholstery "Standard" ref. no. 160.01.02
- Handle upholstery "Anatom" ref. no. 160.01.04
- Nonsliding rubber "Big-Foot" ref.no. 168.10.17



Type:	Safe-In-Anatom-Soft
height from handle to cuff:	22 cm - 25 cm
height of handle:	75 cm - 97 cm
diameter Ø in mm:	22/19
ref. no.:	118.10

Fun-Kids

Crutch for children

Equipment:

- colourful, suitable for children
- 3 adjustments in height from handle to cuff
- ergonomic handle
- reflector
- 10 adjustments in height
- compression fitting
- approved up to 100 kg body weight

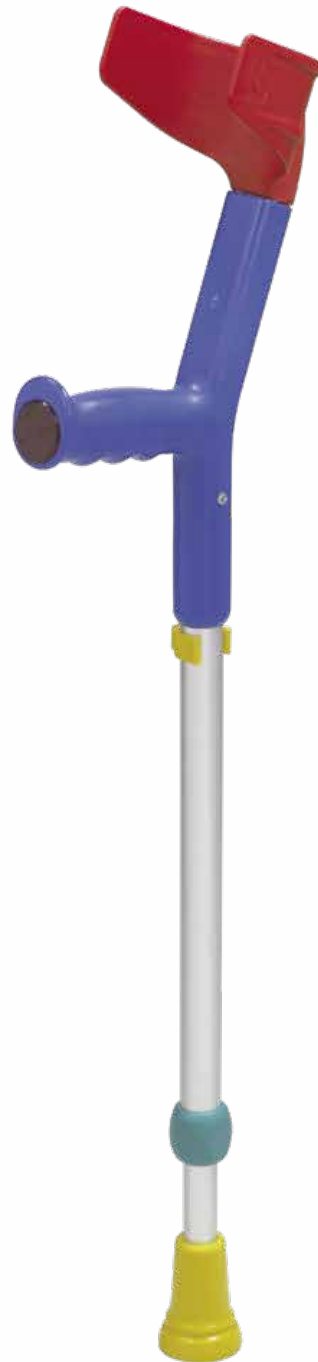
Fun Kids

ref.no. 122.95

Accessories:

- Handle upholstery „Mini“
ref.no. 160.01.01

*Adjustable
forearm cuff!*



Type:	Fun-Kids
height from handle to cuff:	16 cm - 21 cm
height of handle:	50 cm - 78 cm
diameter Ø in mm:	20/16,9
ref.no.:	122.95

Simplex

Walking stick

Equipment:

- "Fritz"-handle ("Derby"-handle)
- very light = 375 g
- 10 adjustments in height
- compression fitting
- approved up to 125 kg body weight

Accessories:

- holder „Flip“ (20 mm)
ref. no. 164.20.00
- nonsliding rubber „Big Foot“
ref. no. 168.10.16

Styles:

SIMPLEX · black powder coated
colour code . 133.14



Up to 125 kg!

Type:	Simplex
height of handle:	73 cm - 96 cm
diameter Ø in mm:	20 / 16,9
ref. no.:	133.14.

Operating since 1987 Medix21 is a leading supplier of high-quality assistive technologies providing equipment for those with disabilities and rehabilitation needs. Collaborating with clients, families and health professionals to provide the best solution, we are committed to helping you move ahead.

MEDIX 21
w: www.medix21.co.nz
e: admin@medix21.co.nz
p: 0800 MEDIX 21

