



Always keeping  
an eye on your safety.

# MOBELI®

Mobile grab handles – ingeniously simple and safe.

AN INFORMATION  
FROM THE MOBELI EDITORIAL DEPARTMENT  
ISSUE #10  
2019 – 1ST EDITION

**The only mobile holding system**  
that permanently monitors  
the vacuum state and thus  
its adhesive strength.



# Mobeli - the innovative original

Page	The Mobeli System at a glance
3	Quality - Made in Germany
4-5	What you should know about Mobeli
6-9	The blue pages
10-13	Fixed size and telescopic handles
14-15	Accessories: TiltStop, cleaning set, suction pad protection
16-17	Angle-adjustable handrail and adapter
18-19	Mobeli Kids grab handles – for small hands
20-23	QuattroPlus, QP adapter and special designs
24-25	QuattroPower Tub – comfortable access to the bathtub
26-29	QuattroPower Support – versatile support system
30-31	Barrier free movement – mobile at the hotel
32-33	CHROM LOOK Premium and combinations
34-35	Mobile stabilisation handles for kids
36-37	Mobile stabilisation handles for adults
38-39	New and useful in the Mobeli system
40-43	Accessories – small helpers, big effect
44-45	Privacy screen and splash protection
46-47	Bathtub shortener
48-49	Nursing professionals – mobile aids in nursing
50-51	ROTH – tilting mirror (barrier free mirrors and mirror cabinets)
52	Notes and address



## Ideally suited for travelling

Mobeli aids are extremely well-suited for travelling, i.e. they can be quickly and easily put together and just as easily taken apart again, they are lightweight and take up surprisingly little space in your luggage.



## Suction pad

The internal interlocking of Mobeli suction pad and vacuum head results in a substantially higher shear force. Two (or four for Quattro) 120 mm suction pads, made of especially malleable rubber, hold even on slightly structured, pore-tight bathroom and toilet tile surfaces. The particularly large vacuum volume of the Mobeli suction pad ensures that the grab handle remains securely in place for a long time.



## Your logo

On request we laser your name, the logo of your company, or any desired motif on your Mobeli grab handle. At short notice and quickly, because production at ROTH in the Black Forest takes place on state-of-the-art machines and with highly qualified specialist personnel. Talk to us.



## The safety lock

TiltStop the safety lock. With this safety lock you can simply "lock" the Mobeli grab handle. Similar to an immobilizer or a padlock, the toggle lever of the handle is blocked and can only be opened with the TiltStop key (see page 14).



# MOBELI®

**Suction pad**  
Made of especially malleable rubber with particularly large vacuum.

**Telescopic grab handle**

Clip on – done.  
**Plug-in system with snap-pin coupling**  
The Mobeli component system – versatile and modular.



**Always keeping an eye on your safety.**  
Warning rocker on each suction head.



Always keeping an eye on your safety.

### 10 years Mobeli vacuum safety indicator

This innovation of the Mobeli grab handles is simply revolutionary: The only grab handle that permanently monitors its vacuum state and thus its holding strength. The Mobeli safety rocker continuously monitors the vacuum. If the warning jack is recessed in the lever, the adhesive strength is correct and the handle is able to carry its maximum load in all directions. If the warning jack rises and the red edge of the rocker becomes visible, the Mobeli grab handle must be released and newly fastened. Thus, Mobeli grab handles are suitable for persons with impaired eyesight because in case of vacuum loss the risen warning jack can easily be felt. This visual and tactile (two-sense principle) recognition meets the protection goals of DIN 18040:2010.



Please note: The mobile handles have been developed to support natural movement, for example as a stand-up aid. The maximum user weight indicated corresponds to the user's body weight according to ISO 17966:2016 test standard. The handles are not designed to carry the full body weight. The handles have been tested by TÜV SÜD according to ISO 17966:2016.



What does the Mobeli vacuum safety indicator show?

With the safety rocker lowered, the handle can be subjected to the full maximum user weight labelled on each grab bar.



**Attention!**

If the red side edge of the safety rocker becomes visible, the grab handle must be loosened and reattached. The principle: If vacuum is lost, the safety rocker extends.

There is still a reduced holding strength, but the handle no longer reaches the holding strength specified for the maximum user weight. So simply loosen the handle and fix it again.

How is the grab handle attached? Very versatile – horizontally, vertically or in angular positions.

The only prerequisite for the Mobeli holding system: A solid, flat and pore-proof mounting surface with a minimum dimension 140 x 140 mm. The vacuum head requires this area for "suction".



1 Press the handle firmly against the surface.



2 Press the rocker lever firmly against the wall so that the rubber suction pad lies flat and the remaining air escapes completely.



3 Press down the tilting lever.

# MOBELI®

## Mobeli – the innovative original

stars of all our product developments. In 2009, the Mobeli development team succeeded in presenting the first grab handle with safety display, which permanently checks the vacuum status and thus the holding force. A love of development, consistently tested quality, and an always open ear for our customers – that's what makes Mobeli what it is: The innovative original.

The term Mobeli is derived from the expression "MObility BEyond Limits", meaning "mobility across all limitations". The creators of the name thus wished to describe the task of the Mobeli system: grab handles and systems that assist people whose mobility is limited. Simple handling, a high degree of versatility, and user safety are always the guiding

The international trade fair REHACARE Düsseldorf 2000 was the start of the new product group "vacuum-fastened mobile handholds" which was coined by ROTH. As a medical product of the MOBELI® brand, these were then tested by TÜV SÜD in accordance with DIN EN 12182 for "Assistive products".

Due to the worldwide application, as support for personal hygiene, the group of mobile grab handles was included in the internationally valid standard ISO 17966:2016 "Assistive products for personal hygiene that support users – General requirements and test methods".

It also describes an important basic requirement for mobile grab handles:  
"Suction handles shall be equipped with a safety indicator. For example a display showing the residual force (= maximum user mass)."

This indicator, which indicates the residual force or the holding force of the grab handle at the attachment point, can be loaded with a certain maximum user mass, depending on the handle. The maximum user mass is indicated individually for each handle. See pages 8 and 9 for more information.

A short review for those interested: The previous testing of our products with the maximum nominal load according to DIN EN 12182 was carried out as follows: The handles have been tested with the specified rated load and an additional safety margin (50 % safety allowance) for 60 seconds.

Or to put it a little more vividly: If a handle was approved with a nominal load of 75 kg, it was actually loaded with a force of 112.5 kg during the test.

The mobile grab handles in the tables on pages 8 and 9 have now been tested by TÜV SÜD according to the new ISO 17966:2016. The mobile grab handles should be used to support the natural movement (e.g. standing up from the toilet) and not to carry the whole body weight. This standard specifies the following test methods:

Mobile grab handles are tested with 75 % of the maximum user mass. The dynamic test is carried out with 40 % of the maximum user mass in 22,000 test cycles (corresponding approximately to the usage stress for 6 years in care facilities/institutions).

We now use the new term maximum user mass due to the changed standard definition (standard ISO 17966:2016).

Due to the changed test conditions, our dual grab handle (1400225 S), for example, which was previously marked with a nominal load of 75 kg, has now been designated with a maximum user mass of 100 kg.

The mobile MOBELI grab handles comply with the directive 93/42/EEC on medical devices of class I.

Further information can be found in the instructions for use and on the Internet at:  
[www.mobeli.com/download-bereich](http://www.mobeli.com/download-bereich)

Here is the explanation of the symbols and icons used:



Warning!



Follow the instructions for use!



Persons with impaired vision can download this brochure from the Internet at:  
<https://www.mobeli.com/download-bereich>  
 Please select the desired font size when displaying the document.



Order number



Manufacturer



Maximum user mass



The mobile MOBELI grab handles comply with the directive 93/42/EEC on medical devices of class I.



Allergy Notice: The high-quality rubber discs contain natural rubber latex. Natural rubber latex can cause allergic reactions including anaphylactic reactions.



## Intended use

As grab handle or stand-up handle for adults and children. The mobile grab handles have been developed to support natural movement. They are not designed to carry the full body weight. Any other use, e.g. as a seat, carrying handle or climbing aid, is not permitted.

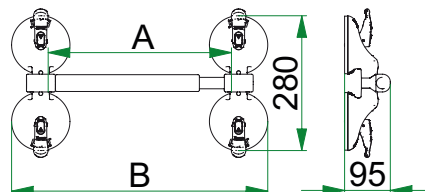
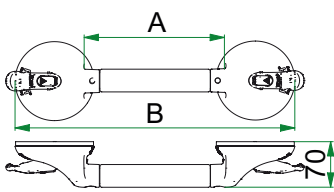
## Application range of the products:

As grab handle or stand-up handle or support handle for largely independent use indoors, as in shower cubicles, bath tubs, toilets, and at washbasins. Attachment of the grab handles is only possible on flat, non-porous and rigid surfaces that are pore- and steam-tight, clean, dry, and free from oil/grease.

The mobile grab handle is suited for use at home where there are no permanently fixed rails, e.g. for short-term use after a stay in hospital or for testing of a new accommodation. It is also well suited at hospitals and nursing homes as an additional and short-term supplement for stationary rails. The mobile grab handle can also be used where it is not possible to install permanent rails, e.g. in glass shower cubicles or in bathtubs, or if drilling in walls is not allowed (or not possible), e.g. in a rented flat or in a wall where water and/or power lines can be located. The MOBELL grab handle is also an "ideal companion" when visiting doctors, offices, travelling, etc. In addition, the mobile grab handle can be used to determine the optimum position and height for installing fixed rails, i.e. before commencing any drilling and bolting work.

## Tables with technical data: Tested by TÜV SÜD according to ISO 17966:2016

Materials: Handle bars made of high-impact PVC, all metal parts made of stainless steel  
Suction discs made of NBR, suction casing made of PA 6.6, articulated parts of POM



ROTH order no.

**REF**

Grip length A  
(adjustable for telescopic grips) in mm

Total length B  
in mm

Handle bar  
Ø in mm

Max. user mass  
in kg/lbs 

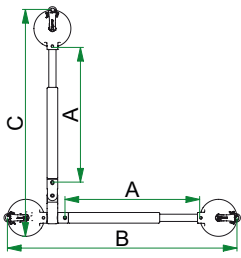
Handle weight  
in kg

### Grab handles (page 11-13)

ROTH order no.	Grip length A (adjustable for telescopic grips) in mm	Total length B in mm	Handle bar Ø in mm	Max. user mass in kg/lbs	Handle weight in kg
14002 20 S	110	330	35	105/230	0,76
14002 21 S	220 - 345	440 - 565	35/24	85/187	0,89
14002 22 S	340 - 465	560 - 685	35/24	85/187	1,02
14002 23 S	440 - 565	660 - 785	35/24	85/187	1,13
14002 24 S	665 - 790	885 - 1010	35/24	80/176	1,37
14002 25 S	210	430	35	100/220	0,85
14002 26S/SCL	350	570	35	95/210	1,01
14002 27S/SCL	650	870	35	95/210	1,33
14002 28 S	170	430	26	75/165	0,79
14002 29 S	310	570	26	75/165	0,88

### QuattroPlus grab handles (page 20-23)

14002 41 S	200 - 325	360 - 485	35/24	160/352	1,75
14002 42 S	320 - 445	480 - 605	35/24	160/352	1,88
14002 43 S	420 - 545	580 - 705	35/24	160/352	1,98
14002 44 S	645 - 770	805 - 930	35/24	150/330	2,22



ROTH order no.

**REF**

Grip length A (adjustable for telescopic grips) in mm

Total length B in mm

Total length C in mm

Handle bar Ø in mm

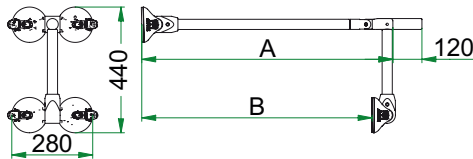
Max. user mass in kg/lbs



Handle weight in kg

**Angle-adjustable handrail (page 16)**

14002 22H2 S	340 - 465	635 - 760	625 - 750	35/24	85/187	1,92
14002 23H3 S	440 - 565	735 - 860	725 - 850	35/24	85/187	2,30
14002 26H6 S	350	645	635	35	95/210	1,91
14002 27H7 S	650	945	935	35	95/210	2,40



ROTH order no.

**REF**

Dimension A in mm

Dimension B in mm

Handle bar Ø in mm

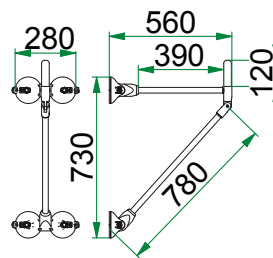
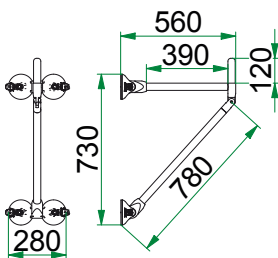
Max. user mass in kg/lbs



Handle weight in kg

**QuattroPower Wannengriff (Seite 24 - 25)**

14002 61 S	860	790	35	80/176	3,0
14002 62 S	860 + 120	790	35	80/176	3,2
14002 63 S	740	670	35	80/176	2,9
14002 64 S	740 + 120	670	35	80/176	3,1



ROTH order no.

**REF**

Wall distance in mm

Grab handle length in mm

Width in mm

Handle bar Ø in mm

Max. user mass in kg/lbs



Handle weight in kg

**QuattroPower support handle (page 26-29)**

14002 65 S	560	390	280	35	80/176	3,1
14002 66 S	560	390 + 120	280	35	80/176	3,3

**QuattroPower support handle Kid (page 19)**

14002 68 S	560	390	280	26	60/132	2,7
14002 69 S	560	390 + 120	280	26/35	60/132	2,9





## Fixed-size grab handles

The Mobeli fixed-size grab handles have a continuous grab bar with 35 mm Ø in 4 specified lengths.



## Telescopic grab handles

Always the right fit: on the go, travelling. Mobeli's four telescopic grab handles are very versatile. The telescopic handle can be extended by up to 125 mm and can thus be adapted to various tile grids starting from 140 x 140 mm – vertically, horizontally or diagonally. Can be combined with universal joint or angle joint adapters, see page 17.



## Handrail

Are you looking for an adaptable handrail with a large radius of action? Voilà. The Mobeli handrail combines all the advantages of a horizontal grab bar for pulling up with the advantages of a vertical grab bar, e.g. as a holding support for getting in and out of the shower or toilet.



## Adapters

The field of application of all mobile telescopic handles can be considerably extended if the universal, diagonal or angle joint adapters are clipped between suction head and handle bar. This allows a wide range of angles to be achieved and maximum flexibility in positioning.





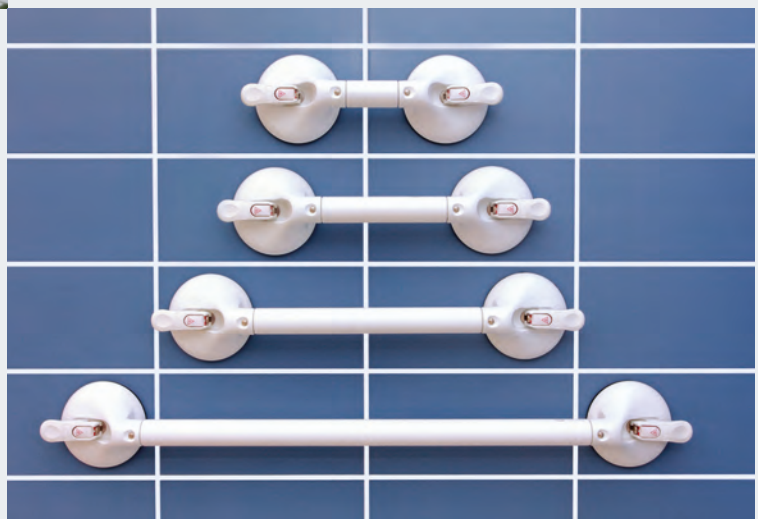
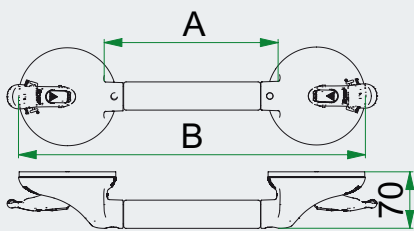
## Fixed-size grab handles


Mobeli's mobile fixed dimension grab handles with 350 and 650 mm gripping length are optimized for positioning on tiles with a grid dimension of 150 x 150 mm. The handles can be easily mounted horizontally and vertically. A tile grid dimension of 200 x 200 mm is ideal for all fixed dimension holding handles, i.e. also for the handle with a gripping length of 110 or 210 mm.

Alternatively, you can opt for the extremely versatile telescopic handle from Mobeli. This means that you are far less dependent on a particular tile grid – especially useful when travelling.

If a tile grid that is too small or a non-porous surface makes it seem impossible for you to use a mobile handle, please continue reading on page 43. Here you can find information about our self-adhesive stainless steel tiles, which can be removed later without damaging your tiles.

The choice is yours. Four grab handles with rigid grab bar lengths of 110 mm, 210 mm, 350 mm and 650 mm are available.



	Grab bar length A (mm)	Total length B (mm)	max.  *	Order no.
1-handed grab handle	110	330	105 kg/230 lbs	14002 20 S
2-handed grab handle	210	430	100 kg/220 lbs	14002 25 S
2-handed grab handle	350	570	95 kg/210 lbs	14002 26 S
2-handed grab handle	650	870	95 kg/210 lbs	14002 27 S

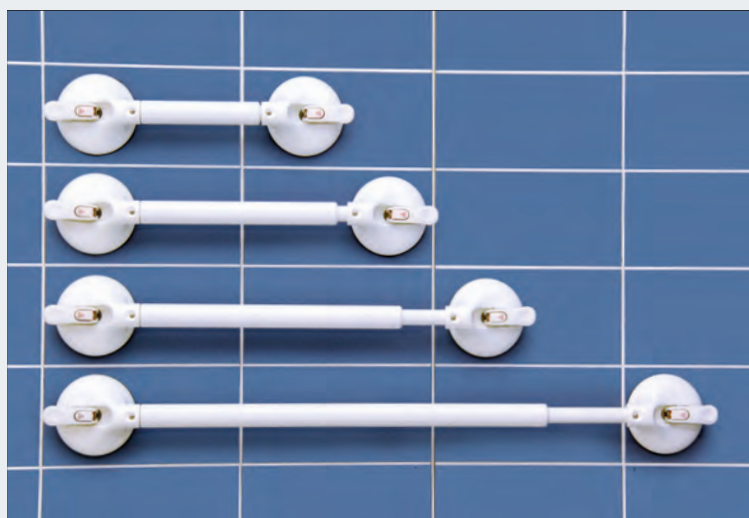
\*Maximum user mass

# Telescopic grab handles

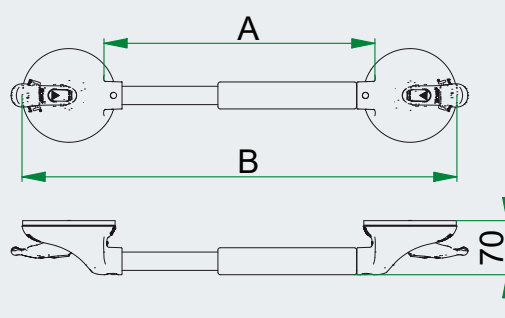
Mobeli telescopic grab handles offer you the widest possible choice for positioning. Whether to promote independence, for domestic or outpatient care – the quick and easy attachment of the Mobeli grab handles has satisfactorily proven itself many thousand times.


Interesting: With the TiltStop safety lock, every Mobeli grab handle can be protected against unwanted removal from the wall. You can read more about this topic on page 14.

The telescopic bar allows horizontal, vertical and diagonal positioning on every tile grid of at least 140 x 140 mm. Also worth mentioning: Tile border dimensions can be easily bridged with the telescopic grab handle and even easier with the joint extensions, see page 17, according to the motto of our brand: Mobility beyond limits.



Available in 4 different lengths. The handles are particularly well-suited for travelling and can be dismantled and stowed away in your luggage in just a few easy steps.



	Grab bar length A (mm)	Total length B (mm)	max.  *	Order no.
2-Hand-Teleskopgriff	220-345	440-565	85 kg/187 lbs	14002 21 S
2-Hand-Teleskopgriff	340-465	560-685	85 kg/187 lbs	14002 22 S
2-Hand-Teleskopgriff	440-565	660-785	85 kg/187 lbs	14002 23 S
2-Hand-Teleskopgriff	665-790	885-1010	80 kg/176 lbs	14002 24 S

\*Maximum user mass





TiltStop.  
The safety lock.

## Tilting lever lock

The “anti-theft device” for our mobile holding systems.

The Mobeli grab handle can be locked with the tilting lever lock. The tilting lever lock has been developed for persons who are not allowed to open the mobile handle independently (e.g. demented persons, mentally handicapped persons, or persons who could make uncontrolled movements). The tilting lever lock is also suitable as theft protection for holding systems - wherever these are used, e.g. in hotels, hospitals, old people's and nursing homes and in public areas.

Please note: Our tilting lever lock may only be used in combination with Mobeli holding systems with safety indicator! And a change of location can only be made by a person who has the appropriate key.



Clip on. As an extension of the toggle lever or crosswise when it gets tight!



## Rocker arm extension

In order to achieve the high holding power of the Mobeli grab handles, the operating lever must be pressed against the wall with some force and flipped over. But it can also be very easy because with the Mobeli rocker arm extension the amount of force required to move the lever is reduced to less than half. All you have to do is slide the extension onto the lever, press on the handle and flip the rocker arm over— done. The rocker arm extension can remain attached to the rocker arm (to do it this way, you should order a rocker arm extension for each side). Especially helpful for hemiplegics, tetraplegics and MS/muscle weakness.

## Special cleaning set

So that you can enjoy your Mobeli grab handle for a long time, we recommend: The ROTH special cleaning set for the rubber pads of your grab handle.

- Bottle with 100/30 ml cleaning fluid for cleaning and refreshing the Mobeli suction pad.

- Lined, lint-free microfibre cloth made of 80 % polyester and 20 % polyamide (350 x 350 mm)



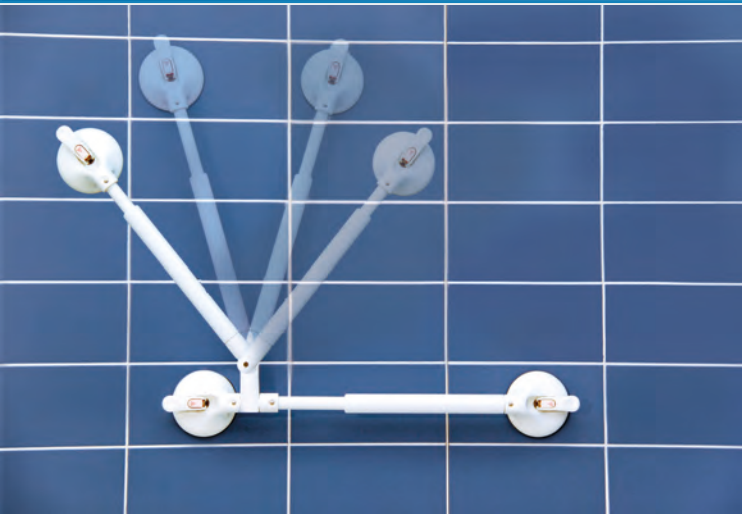
## Suction pad protection

Mobeli Suction Pad Protection is a simple but highly effective protection for the suction pads of your Mobeli grab handle. In particular, we recommend it for people who do a lot of travelling. The protection area can be further increased if you combine the suction pad protection with any commercially available CD/DVD.

To order or to 3D-print yourself. For the first time ever, we provide our customers with 3D print data on request. With a suitable 3D printer it is thus possible for every customer to simply print out the Mobeli transport protection by themselves.



	Order no.	
1x tilting lever lock with 1x key e.g. for shower positioner	1400671	ROTH
2x tilting lever locks with 1x key e.g. for grab handles	1400672	
Spare key (for tilting lever lock)	1400675	
Suction pad protection	1400682	
Rocker arm extension (1 pc. 35 x 120 mm)	1400574	
Special cleaning set for MOBELL suction pads		
100 ml cleaning liquid + lined, lint-free microfibre cloth	1400676	
30 ml cleaning liquid + lined, lint-free microfibre cloth	1400677	

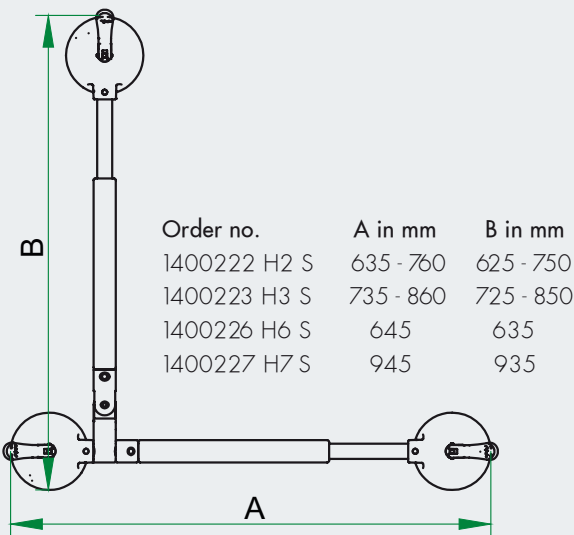



## Handrail

The angle-adjustable handrail is the ideal aid for a barrier-free bathroom. Due to the unique horizontal-vertical combination, the mobile handrail is helpful in many everyday situations, be it in the bathtub when standing up or as a holding aid in the shower. The large radius of action and its versatility are the strengths of our mobile handrail.

Barrier-free DIN 18040 requires a horizontal handle at a height of 85 cm as well as a vertical handle for shower areas; the angle-adjustable handrail meets all these requirements in one solution, on the right as well as on the left side.

The angle-adjustable handrail can be assembled from standard parts of the Mobeli system. In only a few seconds the handrail can be converted into a grab handle for travelling – simply detach the vertical adapter and you're done.



	Grab bar length mm	max.  *	Order no.
Angle-adjustable handrail	(340-465)	85 kg/187 lbs	1400222 H2 S
Angle-adjustable handrail	(440-565)	85 kg/187 lbs	1400223 H3 S
Angle-adjustable handrail	(350)	95 kg/210 lbs	1400226 H6 S
Angle-adjustable handrail	(650)	95 kg/210 lbs	1400227 H7 S

\*Maximum user mass



## Cardan joint adapter

The cardan joint adapter (only for telescopic handles) made of plastic features a 2-axis joint with which almost any desired position of the handle can be achieved. Thus, the mobile grab handle can be attached even more flexibly, e.g. crosswise or rotated in the bathtub or across a corner in the shower.



# Angle joint adapter

The angle joint adapters made of high-strength plastic can be simply clipped onto the telescopic grab handle. The Mobeli high-speed locking device ensures safe engaging of the individual components. The adapters increase the attachment radius of a telescopic grab handle to a total swivel angle of 210°. The grab handle can be fastened across a corner, overhead and over-stretched at an angle of 105°.

When the grab handle is used across a corner, as e.g. in the shower, entry is considerably facilitated.

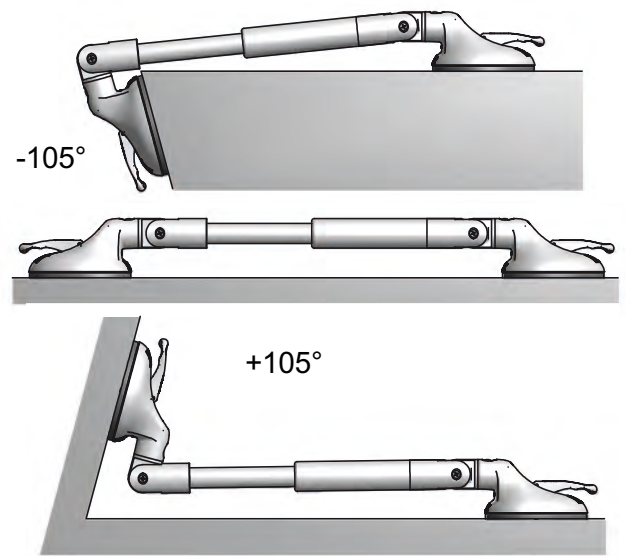
With longer telescopic grab handles and angle joint adapters, even the arms up to the armpits can be hung over the telescopic grab bar.


The total length of the grab handle is extended by the angle joint adapter set by 170 mm.

## Angle joint or cardan joint adapter?

The cardan joint adapter makes the Mobeli grab handle extremely versatile in its mounting options.

The angle joint adapter makes it possible to attach the grab handle over a corner or in the tub. The angle joint adapter reduces the maximum user mass to 75 kg. The cardan joint adapter reduces the maximum user mass to 60 kg.



	max.  *	Order no.
Cardan joint adapter set*	60 kg/132 lbs	14005 59
Angle joint adapter set* 1	75 kg/165 lbs	14005 58


\*<sup>1</sup> Please note that the cardan joint adapters and angle joint adapters may only be used on Mobeli

\*Maximum user mass



Our Mobeli KIDS grab handles are available in 2 different lengths. Their 26 mm handle bar diameter has been specially developed for slim children's hands.

Not without my Mobeli. The mobile grab handles are ideal when travelling or on holiday – quickly dismantled, stowed away to save space and reattached. At school I insert the tilt-stop lock.

	Grab handle length	Total length in mm	Grab bar Ø in mm	Max. user mass in kg/lbs 	Handle weight in kg	ROTH order no.
Kids Haltegriff	170	430	26	75/165	0,79	14002 28 S
Kids Haltegriff	310	570	26	75/165	0,88	14002 29 S





# QuattroPower Support

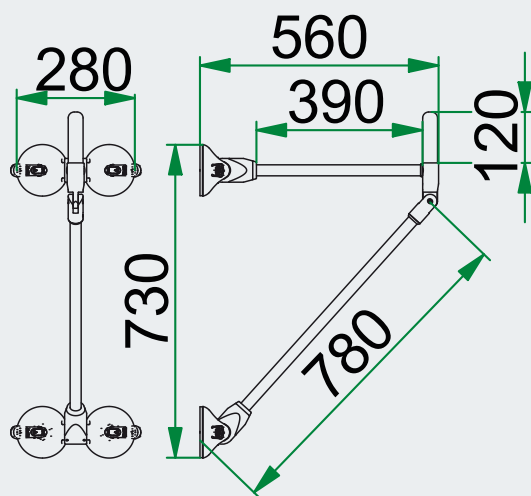
QuattroPower Kid has been developed as a support handle for children for the toilet.

The handle diameter of 26 mm makes it ideal for small hands in kindergarten or other facilities (inclusion) and also at home.

The vacuum suction pads with the worldwide unique vacuum safety indicator allow it to be quickly attached to a suitable location and "grow" with the child.

The handle may be locked with the TiltStop. The handle can be used both in upwards and downwards orientation. In upwards orientation, lateral support is possible. The handle can be dismantled for travelling and useful accessories can be found on pages 38 to 42.

When the child is big enough, the small grab bars can be replaced with the larger adult grab bars. See also QuattroPower Support for adults (page 26ff).



Wall distance  
in mm

Grab handle  
length in mm

Width  
in mm

Grab bar  
Ø in mm

Max.  
Benutzer-  
gewicht  
in kg/lbs



ROTH order no.

	Wall distance in mm	Grab handle length in mm	Width in mm	Grab bar Ø in mm	Max. Benutzer- gewicht in kg/lbs	ROTH order no.
QuattroPower Support Kid	560	390	280	26	60/132	14002 68 S
QuattroPower Support Kid*	560	390 + 120*	280	26/35	60/132	14002 69 S

\*with grasp horn Ø 35 mm





## QuattroPlus

High carrying load variant: The mobile vacuum holding grip QuattroPlus can be fastened at the wall – and even across a corner – or serve as a horizontal training grip bar and as a relocation aid. The QuattroPlus, patented in Europe and the U.S., can also be used by heavier people due to its high load carrying capability.

With us at Mobeli you can still find them: Experts who, after consultation with the technical development department, will look for a solution for your very special requirements and can offer it promptly. Usually our QuattroPlus will be at the heart of a custom design, but there is a multiplicity of combination possibilities with almost all components from the Mobeli system.

## Mobeli modular system

A concept with substance: The Mobeli system. The high degree of compatibility of the individual grab handle components and the ingeniously simple quick-locking system provide for the possibility to construct whole grab handle railings.

We will be pleased to inform you about suitable grab handle combinations for a continuous grab handle railing and on the points you should pay particular attention to when planning.





## Integrated angle joint

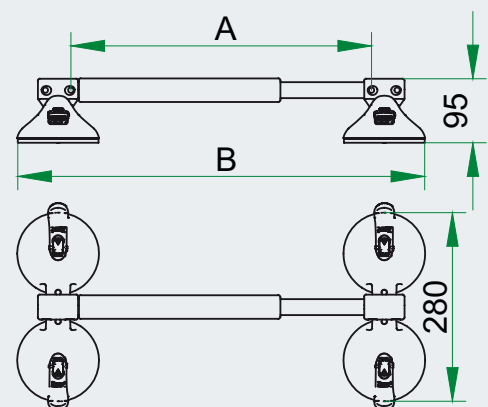
The QuattroPlus as a training grip bar. Thanks to the integrated angle joint, it is even possible to attach the QuattroPlus to the frames of a room door. The prerequisite is a firm, pore-tight, flat mounting surface, e.g. a metal door frame. Do you only have wooden doors? Please continue reading on page 43: Self-adhesive stainless steel plates.

Der QuattroPlus grab handle 1400244 S is designed for inner door frame dimensions from 790 to 910 mm. These dimensions can be extended by 170 mm by using the diagonal joint adapter.

With the integrated angle joint it is possible to attach the QuattroPlus handle across a corner as standard. If the grip is attached across a corner in the shower, you can pull yourself safely into the shower when entering and hold on to it while taking your shower.



The QuattroPlus has integrated angle joints (360° rotatable) as standard, making it very versatile. This does not affect the maximum user mass of up to 160 kg.





## Diagonal joint adapter


If the mounting surface is flat, pore-tight and rigid, the combination of diagonal joint and integrated angle joint makes almost any type of fastening possible. Mobeli's developers have chosen a special material combination to withstand the enormous loads that can act on the handle: aluminium and plastic – robust and versatile.

The diagonal joint adapters specially developed for the QuattroPlus enable the QuattroPlus to be used in all directions and for a maximum user mass of up to 120 kg. The total length of the grab handle is extended by the diagonal joint adapter set by 170 mm.

Accessories: With the TiltStop safety lock, every Mobeli grab handle can be protected against unwanted removal from the wall. You can read more about this topic on page 14.

With the additional diagonal joint adapter and the integrated angle joint, the QuattroPlus can be attached diagonally above the bathtub; very helpful when getting in and out of corner bathtubs.



	Grab bar length A* <sup>2</sup> (mm)	Total length B* <sup>2</sup> (mm)	max. 	Order no.
QuattroPlus	200-325	360-485	160 kg/352 lbs	14002 41 S
QuattroPlus	320-445	480-605	160 kg/352 lbs	14002 42 S
QuattroPlus	420-545	580-705	160 kg/352 lbs	14002 43 S
QuattroPlus	645-770	805-930	150 kg/330 lbs	14002 44 S
Diagonal joint adapter pair for QP			120 kg/264 lbs	14005 57

\*<sup>2</sup>A and B see sketch on page 22

\*Maximum user mass



## QuattroPower Tub

The Mobeli QuattroPower Tub support system can be installed inside and outside the bathtub. It can withstand high tensile and support loads and even side loads of up to 80 kg user mass. Good to know: The suction heads hold even under water, but with reduced holding force.

Do you use a tub lift? In this case we recommend that you install the universal QuattroPower support above the bathtub (see page 26).

If you want to mount the QuattroPower Tub in a steeply angled position above the bathtub, you should use the included drip guard and slide it over the handlebar. This effectively prevents drops from running down the handle bar that might cause a puddle of water to form in front of the tub.





Optimized for the bath tub: The Mobeli support system QuattroPower Tub is excellently suited for getting into and out of the bath tub. With this patented supporting system, you do not only get safely into the bathtub but also out of it again.

You can purchase the QP Tub either with or without grip extension. The extension enables broader and thus safer gripping; it utilizes very efficiently your energy expenditure and prevents rotating of the body when stepping out of the bathtub.

With the QP Tub you have at your disposition a reliable aid for getting up on all plane and pore-tight surfaces.

Before entering or leaving the bath tub, seize the grab bar with both hands and let go of it only after you are sitting safely or standing firmly.

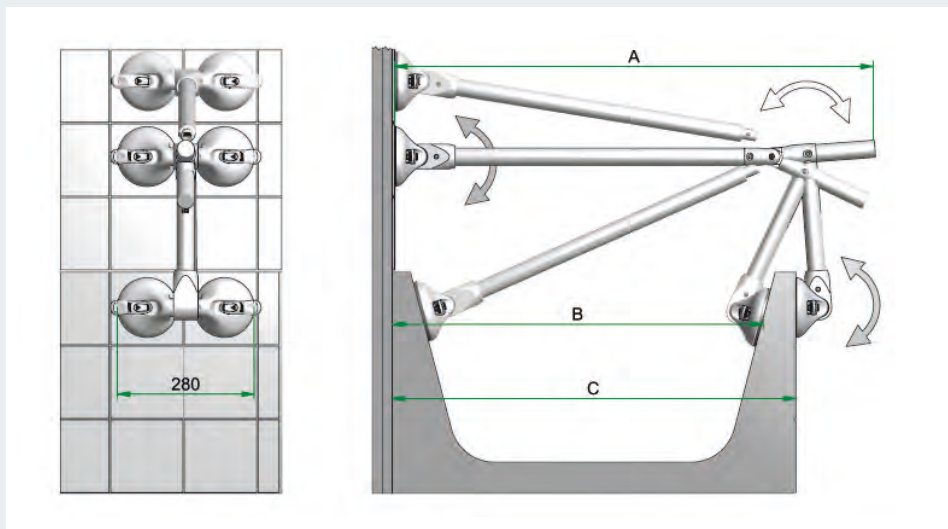
Very variable: The QuattroPower Tub can be attached on the outside or on the inside of your bathtub.



Optimal. The QuattroPower bathtub systems are rotatable at 3 points and can be perfectly adapted to your bathtub shape, bathroom furnishings and exit preferences.

Note: The grips are available in two different lengths. When ordering, please take into consideration the dimensions B and C of your bath-tub.

If you have any questions concerning dimensions or fields of application, please do not hesitate to contact our team of experts.



	Dim. A mm	Dim. B mm	Dim. C mm	Order no.	HMV no.
QuattroPower Tub	740	630-850	600-720	14002 63 S	
QuattroPower Tub with handle bar extension	860	630-850	600-720	14002 64 S	
QuattroPower Tub	860	740-980	700-860	14002 61 S	04.40.05.0006
QuattroPower Tub with handle bar extension	980	740-980	700-860	14002 62 S	04.40.05.0007





# QuattroPower Support

Firm hold without drilling – in no time at all. You position the QuattroPower support system, flip the rocker arms – that's it. You now have a reliable aid for getting up on all plane and pore-tight surfaces.

The QuattroPower support systems are designed for a maximum user mass of 80 kg.

The QuattroPower support handle can be mounted upwards or downwards.

With its 4 suction pads, the (QP) QuattroPower support system distributes the lever forces acting on the wall. Advantage: It can even be attached to tiled cavity walls (e.g. 2-layer plasterboard panelling),, thus eliminating the need for expensive rebuilding to reinforce the walls so that screw-on grab handles might be attached.

Very popular near the wall is the combination of a QuattroPower support handle and a classic Mobeli handle (fixed size or telescopic).

The additional side arm reinforcement for the QuattroPower support handle has a stabilizing effect when increased side forces occur during use, e.g. when pulling yourself forward from the toilet. The QuattroPower support handle and the side arm reinforcement can be mounted upwards or downwards.



[Video on this topic](#)



QuattroPower Support, the ideal combination for bathtub lifts: standing aid, towel rail and support handle.



# QuattroPower Support

This support system can be mounted upwards and/or downwards on both sides of the WC, for example, depending on requirements and spatial conditions. If it is attached upwards, there is an additional possibility of supporting or pulling oneself up. Our QP support systems offer a wide range of mounting options and can also be used for completely new tasks such as physiotherapy.

An additional grasp horn for the QP Support facilitates getting up, and besides can also be used as a toilet tissue holder.

The toilet tissue holder for two rolls of toilet paper can be simply and quickly attached to the QuattroPower.

This handy optional accessory can also be attached to almost all other grab handles of the Mobeli system, with the exception of the children's handle (Ø 26 mm).

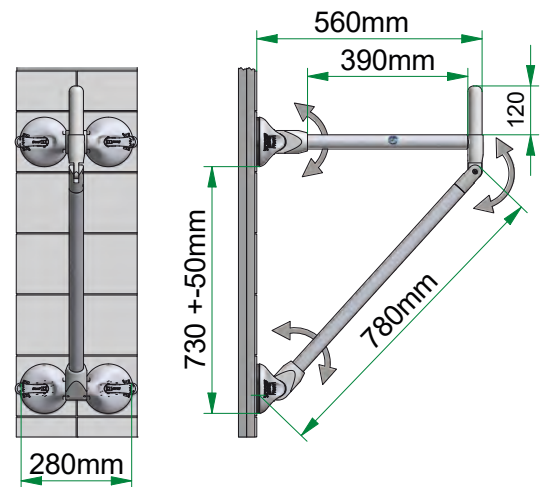


**Video on this topic:**  
 "Disassembling the Mobeli grab handle"

All handles of the QuattroPower support system are equipped with swivelling double joints and built-in safety brakes for easy attachment.

Ideally suited for travelling. Disassemble the QP in a few easy steps – without tools. It disappears into your luggage to save space.

Space-saving minimal solution: You can convert the QP to a simple fixed handle with 4 suction heads or two fixed handles with two suction heads each.



	Grab bar length in mm	max.  *	Order no.
QuattroPower Support	390	80 kg/ 176 lbs	14002 65 S
QuattroPower Support with grab horn	390 + 120	80 kg/ 176 lbs	14002 66 S
Toilet paper double holder			1400 650
Fall protection (can be used with 2 Quattro Support handles) interior width	520 - 645 mm		1400 662 (see also page 38)
Side arm reinforcement (see page 27)			1400 668

\*Maximum user mass









Today, every third guest belongs to the generation 50+ – and in the future it will be every one out of two! With the Mobeli system you can offer your guests a wide range of safety components that can be attached as the need arises and individually adapted for each one of your guests. Versatile and at short notice, the Mobeli system can be used in almost any guest room, saves you larger restructuring work, and enables your guests nevertheless to enjoy barrier-free access to bath and WC.

## Every guest a king

From now on you can attach a supporting aid for each one of your guests individually and at the precise position required by them. Later after departure of the guest, just as you remove the bed-linen you can disassemble the mobile grab handle and convert what has just been a barrier-free room into a completely neutral guest room. The only precondition is a plane, firm, and pore-tight attachment surface.





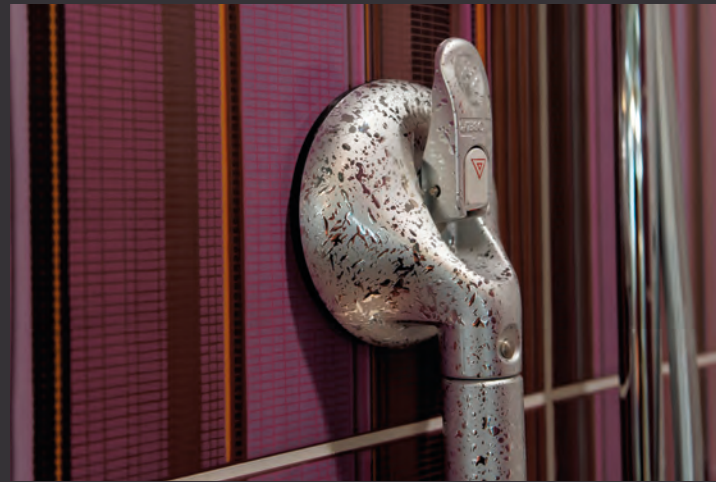





# CHROM LOOK Premium

Mobeli CHROM LOOK PREMIUM is the compellingly stylish alternative to the classic white grab handle. The Mobeli CHROM LOOK grab handle fits harmoniously into the overall picture of a bathroom with chrome fittings – thus it remains almost unrecognised as a mobile grab handle. The elegant and particularly non-slip drop-pearl structure of the handle bar provides a further plus in safety.

The CHROM LOOK suction heads can be combined with other Mobeli products such as mobile aids!



	Grab bar length in mm	max.  *	Order no.
2-handed grab handle CHROM LOOK Premium	350	95 kg/210 lbs	14002 26 SCL
2-handed grab handle CHROM LOOK Premium	650	95 kg/210 lbs	14002 27 SCL

\* Maximum user mass





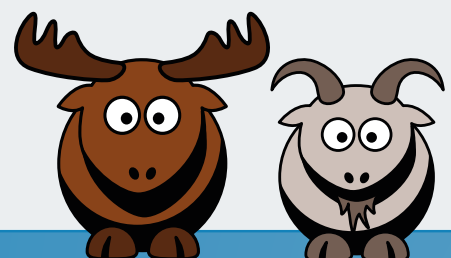
The funny squeaky Daisy is the ideal help e.g. on the therapy table of a wheelchair. It stimulates the joy of movement. The **Daisy Vario** can be fixed in the desired position using the Mobeli locking system: horizontally, vertically and inclined 45° to the left or right. The handle tilt can be variably adjusted to achieve the optimum handle position. This allows for a relaxed hand position. May not be used as handles!



**Stabi Vario Kid Ergo** is equipped with the same Mobeli locking system as the Daisy Vario. The red Kid Ergo handle, made of soft material and ergonomically optimized for children's hands, can be used for contracture prophylaxis of fingers. May not be used as handles!



The **Daisy Horizontal** has been designed to stabilize the hand or to hold on for small children. The yellow duck arouses children's curiosity and encourages them to reach out and squeeze. Thus, our darlings can playfully and incidentally train their fine motor skills. May not be used as handles!



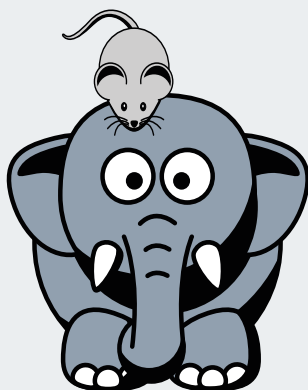


# Mobile stabilisation grips for children

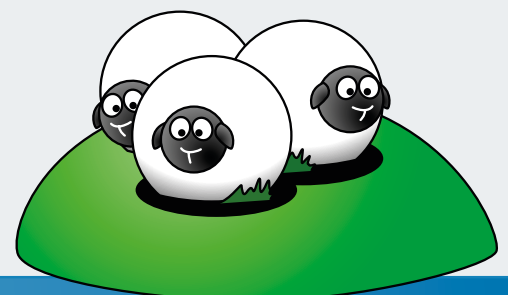
**Developed with therapists:** The red Kid Ergo handle, made of soft material and ergonomically optimized for children's hands, can be used for contracture prophylaxis of fingers.

All handles (except Kid Handi Ergo) can be quickly disassembled using snap locks and are equipped with the patented vacuum safety indicator. With the Moberli vacuum safety indicator, you can see and feel whether the handle has sufficient holding force or whether a new fixation is necessary. May not be used as handles!

The **Kid Handi Ergo** stabilisation handle is small and can be easily carried on journeys.



	Diameter in mm	Max. load	Order no.
Daisy Horizontal	26	10 kg	14002 92 S
Daisy Vario	26	15 kg	14002 91 S
Stabi Horizontal Kid Ergo		10 kg	14102 94 S
Stabi Vario Kid Ergo		15 kg	14102 93 S
Kid Handi Ergo (without safety indicator)		5 kg	14090 226



# Therapy aids

## Mobile stabilisation handles

A new version of our Stabi handles is available: The Ergo series. Developed with therapists, the colour-contrasting handle encourages the user to change position independently or to sit upright in a wheelchair. May not be used as handles!

Due to the soft material and the ergonomic shape, the Stabi Ergo can also be used for contracture prophylaxis in the fingers.

Stabi Horizontal stabilizes horizontally; Stabi Vario can be swivelled vertically, horizontally or at a 45° angle to the left or right.

The suction heads are equipped with the patented vacuum safety indicator. With the Mobeli vacuum safety indicator, you can see and feel whether the handle has sufficient holding force or whether a new fixation is necessary.



	Diameter handle in mm	Max. load	Order no.
Stabi Vario Ergo	33	15 kg	14102 96 S
Stabi Horizontal Ergo	33	10 kg	14102 95 S





You would like a help that stabilizes and guides your arm: Mobeli Stabi in 2 variants. It can be attached quickly and easily to all pore-proof surfaces such as painted wood, plastic or metal.

Stabi Horizontal stabilizes horizontally; Stabi Vario can be swivelled vertically, horizontally or at a 45° angle to the left or right. May not be used as handles!



	Diameter handle mm	Max. load	Order no.
Stabi Horizontal	31	10 kg	14002 95 S
Stabi Vario	31	15 kg	14002 96 S
Handi (top picture)	31 (without vacuum indicator!)		14090222

# System Mobeli | Useful accessories

The Mobeli fall protection is a practical extension for stabilizing the upper body in a sitting position. Leaning on or supporting – the fall guard can even absorb the entire body weight.

The fall protection telescopic handle bar can be used flexibly for inner widths between 520 and 645 mm.

The fall protection can be quickly and easily attached to the QuattroPower support – with the help of the snap locks.



Video on this topic



Mobile, swivelling hook strip for bathroom, WC or door frame. Order no. 1499207S



Triple holder: 3 hooks on the Mobeli suction head. Order no. 1400207S

# System Mobeli I New



Snap-lock release.



Snap-lock release, order no. 1402767  
Combination with unlocking aid and protection



Slip-on contrast rings! If you need assistance in recognizing the grip area. Colour: Red.  
Order no. 1402766



WC paper butler, order no. 1402208 S



Dressing aid: Useful assistance when dressing, e.g. for sticking your shirt into your pants. Order no. 149011



Dressing aid, order no. 149012 (suction head: 90 mm diameter) with various fixed attachments or to be able to attach your own attachment on site.







# Two-finger holder

Versatile and multifunctional. For example, a hair dryer can be fixed by the two movable modules. The two-finger holder serves as a third hand. Even with limited arm movement it is possible to take care of yourself.

The two-finger holder is also available with swivel arm adapter (rotatable); this considerably increases the action radius.

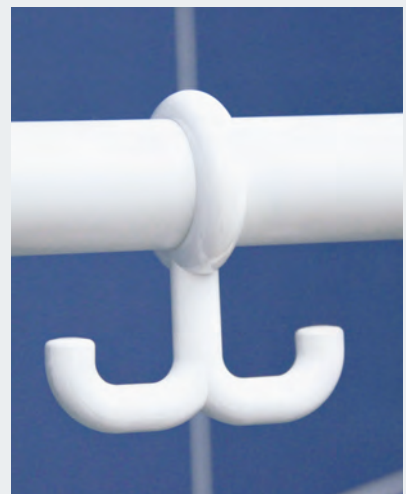


# Clamping aid

The mobile clamping aid from Mobeli supports you in many situations of daily life. Suitable for e.g. the razor, electric toothbrush, hair dryer, telephone receiver and much more. With the help of the additional clip-on swivel arm, the distance to the wall of our clamping aid can be comfortably regulated or simply swivelled to the side as desired.

# Double hook

The double hook is small but comes in very handy. Wherever you feel more comfortable with a Mobeli grab handle or simply want to hang something, these useful helpers can have something ready for you: towel, wash cloth, toilet bag, bathrobe, etc. All you have to do is put the double hook over the handle bar and you're done.



	Order no.
Two-finger holder	14002 03 S
Two-finger holder with swivel arm (300 mm / 360° rotatable)	14992 03 S
Clamping aid with swivel arm (300 mm / 360° rotatable)	14992 04 S
Clamping aid (up to 55 mm opening)	14002 04 S
Double hook, white	1400 581
Shower positioner with swivel arm (300 mm / 360° rotatable)	14992 02 S
Shower positioner without swivel arm	14002 02 S



## Shower positioner



The helpful shower positioner is available with or without a flexible swivel arm. With the swivel arm, you always have the shower positioner within reach, even while sitting.

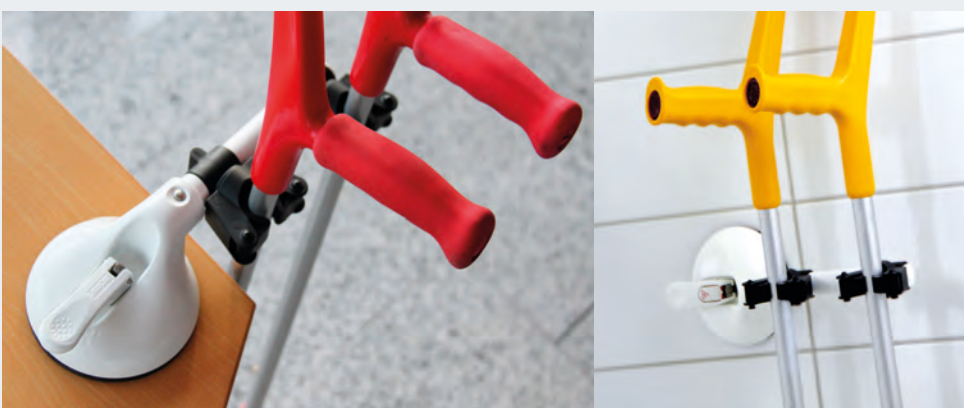
## Telescopic mirror



The mobile telescopic mirror – with or without LED light – can be placed quickly and easily. You can take a look in the mirror while sitting and it proves to be very helpful for catheterisation. The attachable LED light illuminates the mirror section at selected points. Ideal for stoma-control.

A barrier-free, swivelling 3-axis mirror (160 mm diameter, reverse side with 5x magnification) with an 80 cm long “telescopic arm”.

## Walking stick holder



If your walking sticks lie on the ground too often, the mobile dual walking stick holder will make your life much easier. It can be attached onto the wall or sucked on or under the table top. Always fast and safe, always without tools. Our dual walking stick holder is suitable for all common walking stick diameters.



## Stainless steel plates

Did you know that Mobeli can also help you if your tiles are smaller than 14 cm or do not have a pore-tight surface? Two self-adhesive Mobeli stainless steel plates are simply glued on where you want to attach the Mobeli grab handle – assuming you have a firm base surface. Without drilling – without screws. Simply glue on the stainless steel plates and after 8 hours the perfect mounting surface for the Mobeli grab handle is ready for use. The stainless steel plates can be removed later without damaging the tiles or leaving any adhesive residue.

Under certain circumstances, the self-adhesive stainless steel tile may not be sufficiently firmly fixed to the substrate. For mosaic tiles or tile heels with a level difference of approx. 1 mm or more, we therefore recommend using our adhesive paste. This ensures that the stainless steel tile has sufficient contact surface for a secure connection with the substrate. Please note: However, the high adhesive strength of the adhesive paste does not allow easy removal from the wall, as is the case with self-adhesive stainless steel tiles.

	Order no.
Shower positioner with swivel arm (300 mm / 360° rotatable)	14992 02 S
Shower positioner	14002 02 S
Mobile telescopic mirror (800 mm extendable) rear side 5-fold magnification	14002 09 S
Mobile telescopic mirror with LED-Micro lamp (incl. 50 hours battery)	14992 09 S
Dual walking cane holder	14002 06 S
Stainless steel plates (self-adhesive)/pair (145 x 145 mm) for two vacuum heads	1461414
Stainless steel plates with adhesive pack/pair (145 x 145 mm) for two vacuum heads	1461415





Caring friends  
– help made easy.

## Privacy screen

Privacy screen and splash protection. The long 3-part elastic arm was designed in such a way that no strong leverage forces are exerted on e.g. glass, shower, and partition walls – even when leaning on it. This is a decisive advantage especially for gypsum plasterboard walls. In addition, the risk of injury when standing up is minimized.

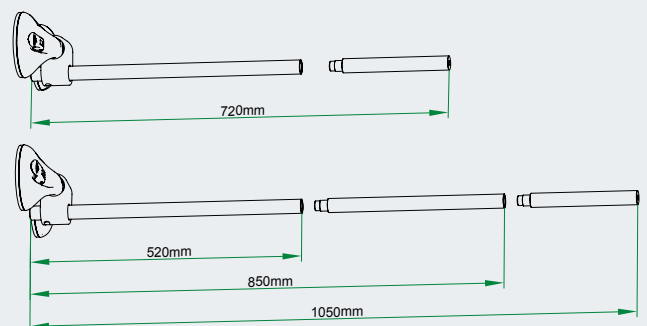
## elastic & convenient

The name says it all: Privacy screen and splash protection; very popular and ideal for the care environment. The articulated arm can be swivelled upwards or it can be swivelled to the side when mounted vertically. The integrated brake automatically holds the Mobeli arm in the desired position.

## mobile & versatile

The curtain support arm can be converted to various lengths thanks to its tripartite division. The individual sections can be freely combined.

The articulated arm can be swivelled upwards or sideways according to the suction position.



Privacy screen and splash protection articulated arm

Order no.  
14002 05 S

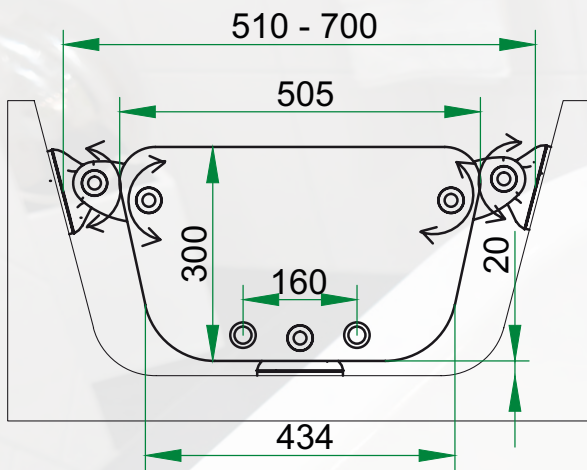
Curtain (width/height): 1200 x 800 mm / uni White, washable 30° (with white curtain eyelets)

140612 08

Privacy screen and splash protection with tripartite combination arm + curtain (1200 x 800 mm/uni white)

14992 05 S





In extremely rounded bathtubs, bathtub shorteners can only be positioned to a limited extent.



The bathtub shortener can also be used as a tray on the bathtub.





## Bathtub shortener

Bathtub shortener with 2 suction pads. The continuously adjustable bathtub shortener prevents submerging in the bathtub. This bathtub shortener can be placed in almost any position in the bathtub without tools. It can also be used as a tray on walls or bathtubs.

Our bathtub shortener with 3 movable suction pads is suitable for considerably higher loads. It can easily be converted to the 2 suction pad variant or to a bathtub tray – without any tools.



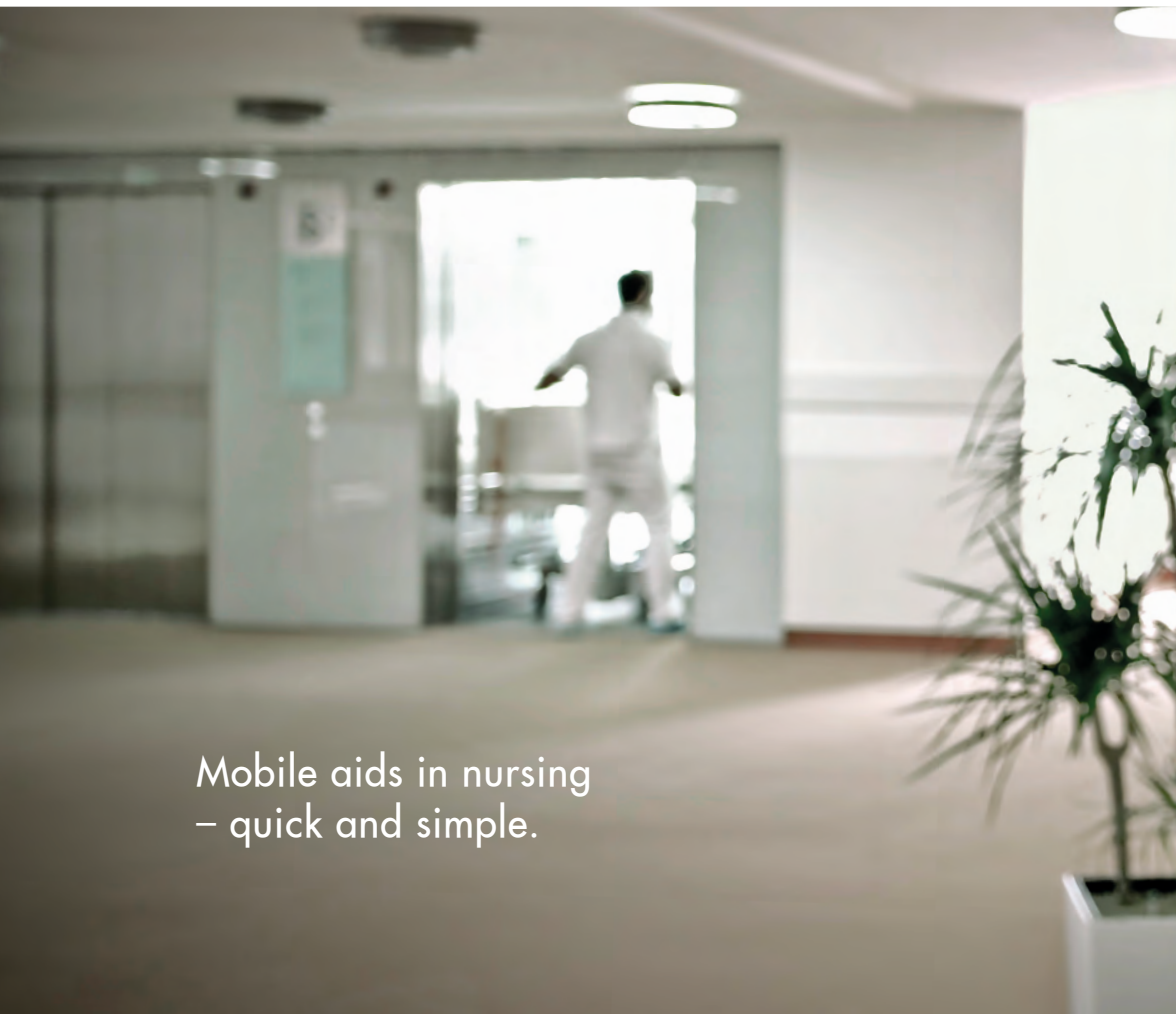
## Bathtub positioner

The bathtub positioner is a mobile fixation roller that makes positioning and securing small persons in the bathtub much easier. It does not replace an assisting person during bathing, but it makes bathing easier and secures the bathing person from submerging in the bath water! Please note: There must always be an attendant present.

The Mobeli tub positioner is another innovation and consists of a Mobeli suction head with the patented vacuum safety indicator (Ø 120 mm) and a polyurethane foam roller (295 x 80 mm). The roller is attached vertically to the side of the clip-on Mobeli holder.



	Bathtub interior width mm	Order no.
Bathtub shortener (2 suction pads)	from 510	14002 81 S
Bathtub shortener (3 suction pads)	510 - 700	14002 82 S
Bathtub positioner (roller 295 mm x Ø 80 mm)		14002 86S







- 1. ROTH finger-back operated dispenser
- 2. Your logo on the grab handle (page 3)
- 3. Telescopic mirror (page 42)
- 4. CHROM LOOK grab handle (page 32/33)

- 5. Privacy screen and splash protection (page 44/45)
- 6. Shower positioner (page 40/42)
- 7. Walking stick holder (page 42)
- 8. QuattroPower Support (page 26-31)



# ROTH®

Already in 1955, the architect Willy Roth who was suffering from gout had submitted an application for a utility pattern for the first mirror cabinet with tilting mirror. His son Eckart Roth built on this success story. In the past decades he has introduced new and barrier-free usable mirror and mirror cabinet models with inclined front on the market.

## Tilting mirror



Thanks to the user-friendly operating arm the tilting mirror can be easily positioned between 0° - 30° and will stay in that position by itself.

The end stop is continuously adjustable and the operating arm can be installed on the left or on the right. The lateral fitting is made of stainless steel, of course. For further information please visit our website:

[www.roth-sanitaerprogramme.de](http://www.roth-sanitaerprogramme.de)  
[info@roth-sanitaerprogramme.de](mailto:info@roth-sanitaerprogramme.de)

## Tap-tilting mirror



Slightly tapping against the lower mirror area causes this fitting to tilt forward with a tilting angle of max. 20°. Applying slight pressure to the upper mirror area is sufficient to realign the mirror perpendicularly. The fitting is implemented with a self-adhesive mirror base board on which you can mount any desired mirror format up to 1,000 x 1,000 mm with a minimum size of 450 x 500 mm. This means that you can also use your existing mirror again. Of course, every mirror can be supplemented with the ROTH tilting mirror lamps.



- 1-2-3 Ceiling/wall/floor inspection systems
- 4 Inspection mirrors, doors
- 5-6-7 Built-in and surface-mounted mirrors/lamps
- 8 Mirrors with safety steel armoring
- 9-10 Tilting and barrier-free oblique mirrors/cabinets
- 11 Barrier-free mirrors on aluminium fillet shelf up to 3 m
- 12 Barrier-free one-handed fingerback dispensers
- 13 Stationary grab handles
- 14 Mobeli – mobile vacuum grab handles

The resourceful Swabian inventive genius and the experience gained in many large-scale projects make ROTH GmbH a competent partner. The 14 production groups illustrate our wide and nevertheless highly specialized product range.

You can find further information under [www.roth-sanitaerprogramme.de](http://www.roth-sanitaerprogramme.de)

## 7° Aluminium module



Our mirror cabinet module with inclined front is ideally suited for EVERYONE – small or tall. It extends the usual mirror image downwards for sitting or small persons. Thanks to the inclined front the mirror cabinet has substantially larger stowage room depth in its upper region. Can be installed in series.

Several mirror cabinets with inclined front can also be installed next to each other. The cabinet body is made of high-quality aluminium. On request, the mirror can be supplied with a surface-mounted LED lamp.

## 9° mirror element



The mirror with a 9° inclined front extends the mirror image downwards, resulting in an equally good view of the upper body – whether in a standing or in a sitting position.

The inclined mirror element is the best alternative to the tilting mirror. The element is available in various widths and optionally as a safety mirror (with metal armoring).

Optional: ROTH prism lamp (water jet proof) or ROTH finger-back operated dispenser.

Should you require further information and videos about the products, you can find them on our website: [www.mobeli.com](http://www.mobeli.com)

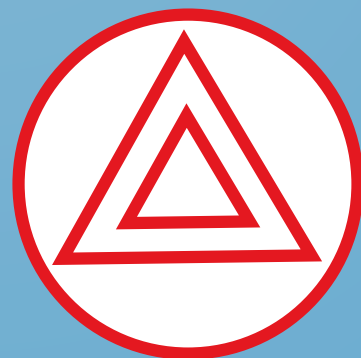
Further information, this brochure and the instructions for use of our products can be found in the download area of our website:  
[www.mobeli.com/download-bereich](http://www.mobeli.com/download-bereich)

Persons with impaired vision can download this brochure from the Internet at:  
[www.mobeli.com/download-bereich](http://www.mobeli.com/download-bereich)  
Please select the desired font size when displaying the document.

The ROTH channel.  
Information compact and easy-to-understand:  
Mobeli video clips



Video on this topic



Always keeping an eye  
on your safety.

[www.mobeli.com](http://www.mobeli.com)  
You can contact us under [info@mobeli.de](mailto:info@mobeli.de)



**ROTH**<sup>®</sup>

ROTH GmbH  
Kohlbergstr. 5  
D-72213 Altensteig  
Telefon +49 (0) 7453 9381-0  
Fax +49 (0) 7453 9381-23